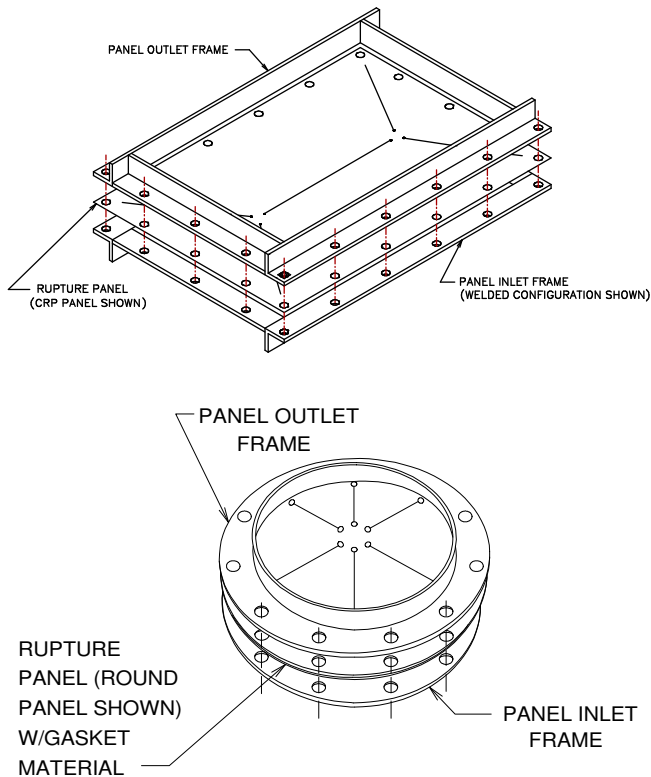


# Installation Instructions for OSECO Explosion Vents

## TYPICAL EXPLOSION VENT INSTALLATIONS



### CAUTION

All explosion vent installations should be located to allow full unrestricted discharge when system pressure exceeds the set pressure of the explosion vent. An explosion vent should never be located where the discharge from a rupture panel will impact people or plant equipment. The warning label shown below is located on the discharge side of the panel. It serves as a reminder to everyone that rupture panels are dangerous when actuated by system over pressure.



### IMPORTANT

An explosion vent is a precision piece of equipment that must be handled with extreme care. Avoid bending, flexing, scratching,

denting or otherwise damaging the thin metal membranes comprising this assembly. After installation of the rupture panel into the inlet and outlet frames, do not use the metal membrane assembly as a temporary work surface for hand tools, i.e., wrenches, screwdrivers etc. Such actions can cause premature failure to occur via over stressing these metal membranes.

### New Installations

- 1) For new installations, the inlet frame for the explosion vent must first be attached directly to the system being protected by either bolting and appropriate gasket material or by welding.
- 2) Install the explosion vent on the newly installed inlet frame. Secure with the appropriate gasket material, bolting and panel outlet frame. The bolting and gaskets items are normally furnished by others unless otherwise requested.
- 3) Explosion vents are not bolt torque sensitive, i.e., bolt torque does not increase or decrease the explosion vents set pressure. The bolt torque used should be only that which is sufficient to create a leak free seal.

### Explosion Vent Replacement

- 1) For existing installations, verify that the system is **depressurized** and safe for human exposure before attempting to remove the old or burst explosion vent. While loosening the panel frame bolting, take care to avoid the sharp edges of the ruptured panel as these can cause severe cuts and/or abrasions.
- 2) After removal of the panel frame bolting, lift the panel outlet frame and set aside to gain access to the explosion vent. This may require bending panel sections away from the frame for frame removal. Care should be taken to avoid the sharp panel edges during this activity.
- 3) Dispose of the explosion vent removed in accordance with applicable local and federal regulations.
- 4) Install the new explosion vent on the inlet panel frame. Secure with the appropriate gasket material, bolting and panel outlet frame. The bolting and gaskets are normally furnished by others unless otherwise requested.
- 5) Explosion vents are not bolt torque sensitive, i.e., bolt torque does not increase or decrease the rupture panel set pressure. The bolt torque used should be 25 ft-lbs or that which is sufficient to create a leak free seal.