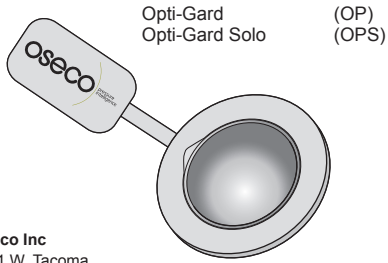
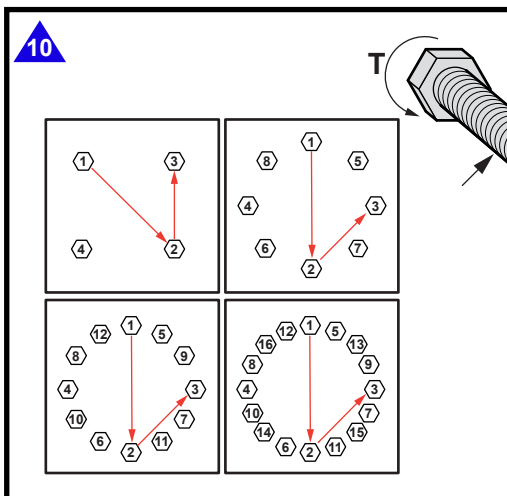
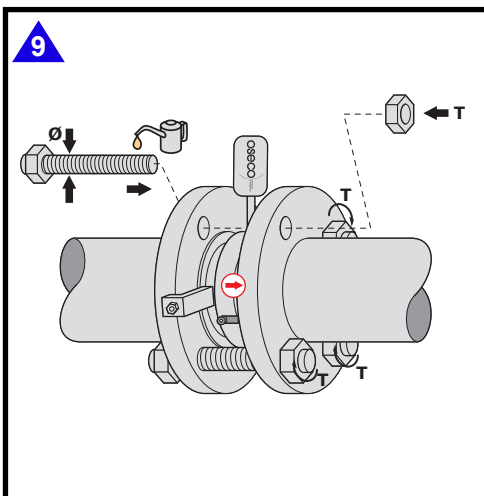
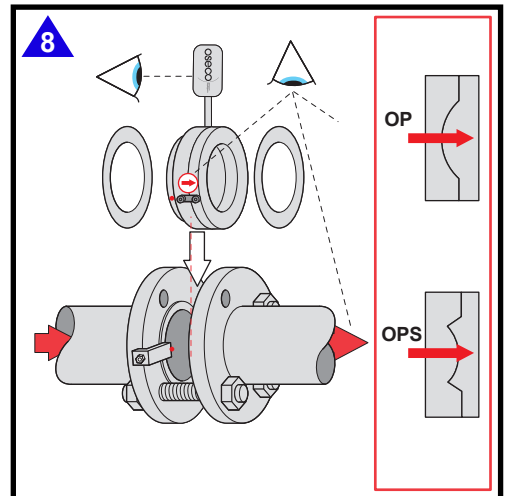
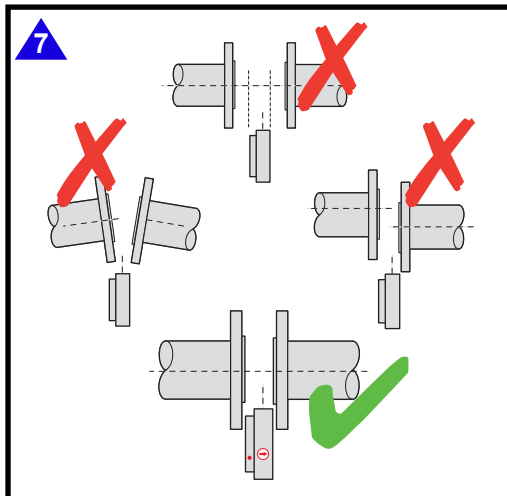
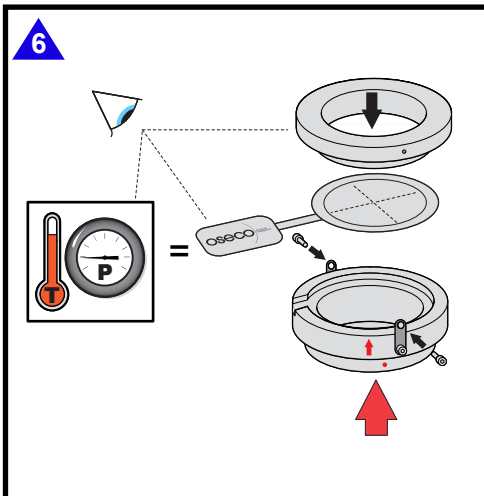
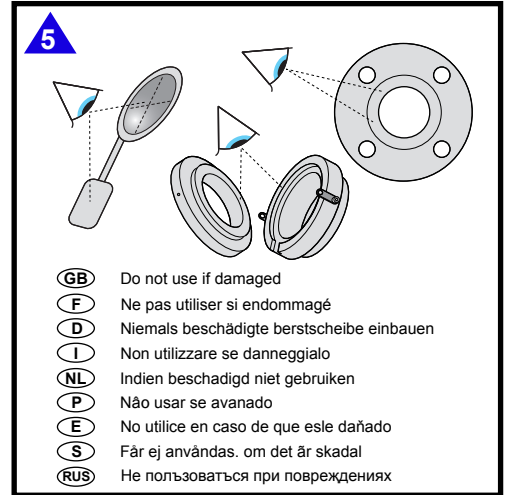
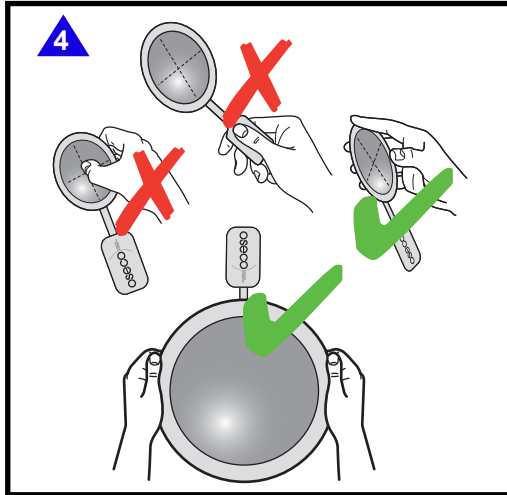
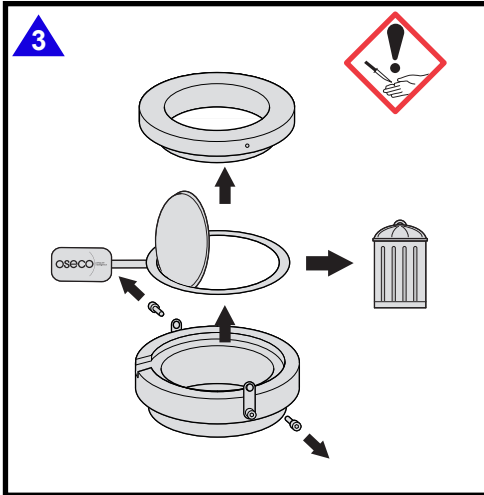
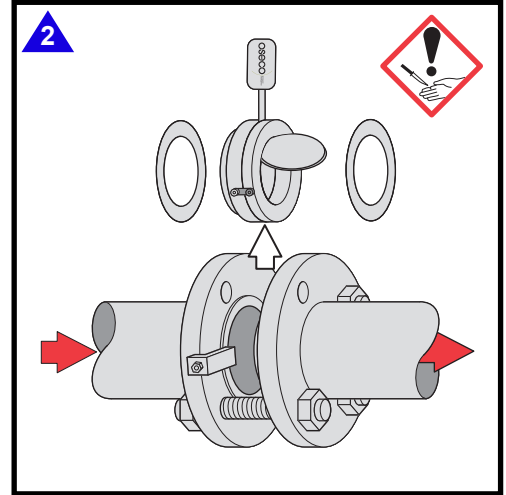
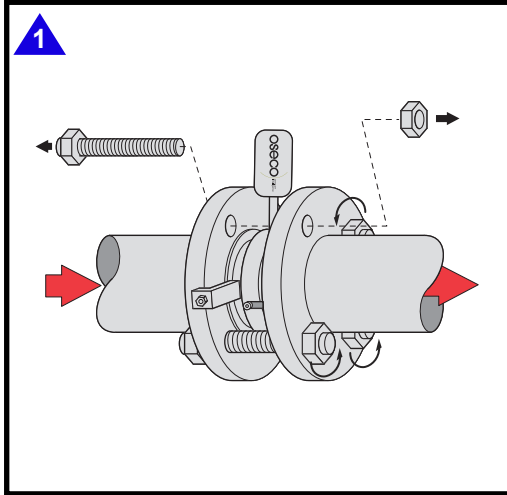


Installation Guide



Oseco Inc
1701 W. Tacoma
Broken Arrow
Oklahoma, USA
Ph: 918-258-5626
Fax: 918-251-2809
Email: info@oseco.com

GS369/0061 JULY 2006



Ø(mm)	T(Nm)	Ø(Ins)	T(lbs. ft)
10	18 ± 2	1/2	25 ± 5
12	30 ± 5	5/8	50 ± 10
16	75 ± 10	3/4	85 ± 20
20	150 ± 25	7/8	140 ± 30
24	260 ± 40	1	210 ± 40
27	370 ± 60	1 1/8	300 ± 60
30	500 ± 90	1 1/4	410 ± 90
33	670 ± 110	1 3/8	550 ± 120
36	870 ± 150	1 1/2	720 ± 150
39	1110 ± 190	1 3/4	1160 ± 230
45	1810 ± 390	2	1730 ± 340